

User Manual

Thank you very much for choosing VERIFONE products, please read this manual before deployment so that you could know the performance deeply. Please keep this manual for your reference.

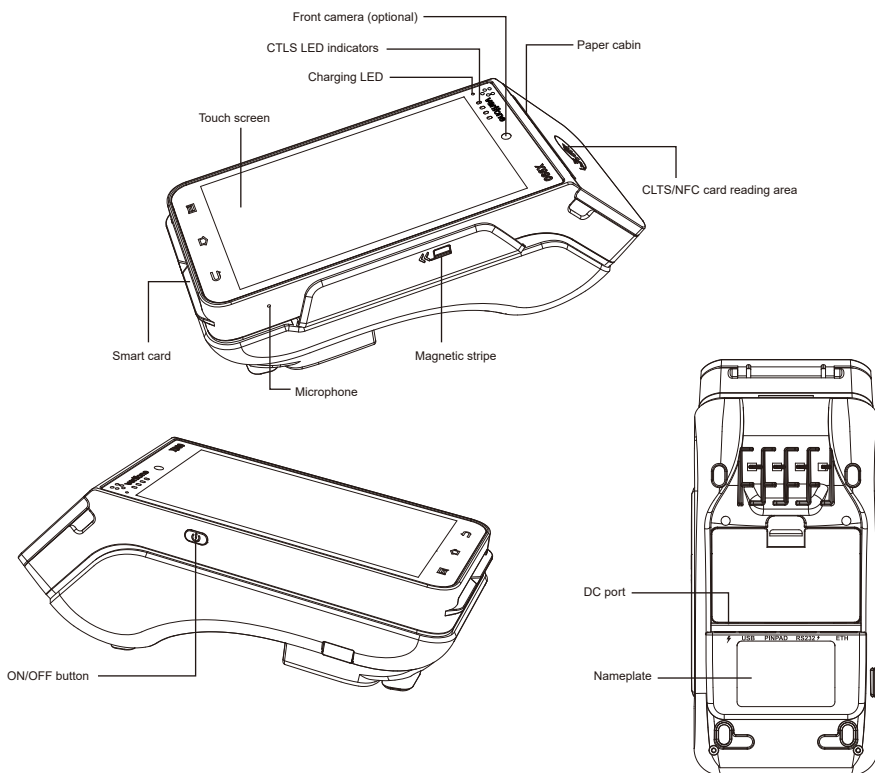
Our company will try best to adopt new technologies, new components, new software to improve products. The feature, function and operation described in this document may be different from the performance of the selling products, in some cases, image is prototype devices. Please inquiry the company or agent for appropriate update.

The device should be installed by after sale service personnel. Our company shall not be liable for any consequences arising from unauthorized changes to the equipment, replacement of the connected equipment and cables not as specified.

The Product Manual applies to Model X990 Plus, X990 Plus M, X990 Plus G, X990.

Verifone Systems (China) Inc. reserves the right to change product technical specification without prior notice.

1. Overview



2. User instruction

2.1 ON/OFF

Power ON:

Connect the terminal with the dedicated 9V/2.5A power supply in the box, press " " ON/OFF button for 3 seconds.

Power OFF:

press " " ON/OFF button for 3 seconds and then click "Power Off ". on the screen

2.2 Magnetic stripe card

Put the magnetic card into the magnetic card slot to read, magnetic side towards the LCD. Keep it smooth, uniform when swiping the card.

2.3 Smart card

Insert smart card into the smart card slot, the metal pads of the smart card should facing up, please refer to card identification.

2.4 Contactless card

Tab the contactless card near the contactless card reader zone on the device, to make contactless card transaction.

Put one contactless card one time to avoid confliction if putting more then one card.

3. Terminal specification

Item	Specification
Product	X990
Model Name	X990 Plus, X990 Plus M, X990 Plus G, X990
CPU	64-bit high performance CPU
Memory	1G RAM + 8G ROM Flash (Extendable to 2G RAM+16G Flash)
Operating System	VanOS secure payment system, based on Android 10.x
Display	5.5 inch IPS screen, 1280*720
Extended storage	Micro-SD card interface
PINPad	Built-in virtual PIN entry keypad Support Master Key/Session Key, Fixed, DUKPT etc Support DES, 3DES, RSA, SHA-256 and AES algorithm etc
Touch Screen	Capacitive touch screen, support e-signature
Smart card	Conform to ISO7816, PBOC and EMV Level 1 & 2
Magnetic Stripe	Support ISO7811 1/2/3track, bi-directional reading

Item	Specification
Contactless	Support ISO/IEC 14443 Type A&B, Mifare card conform to qPBOC, PAYPASS and PAYWAVE spec
Front camera	Optional professional camera, equipped with fast 1d/2d barcode recognition algorithm
Physical interface	1 x USB-A, PINPAD, RS232, ETH 2 x SAM and 1 x SIM or 1 x SAM and 2 x SIM
LED indicators	4 contactless LEDs 1 two-color charging indicator
Multimedia	Built-in buzzer, speaker, microphone
Printer	Built-in high-speed thermal printer with print speed greater than 25 lines per second, support paper roll with width of 58mm and diameter of 40mm
GPS	Built-in GPS, support A-GPS, Glonass, Beidou
Connectivity	4G, compatible with 3G and 2G, Wi-Fi, Bluetooth
Power adaptor	Input: AC 100V ~ 240V/50 ~ 60Hz Output: DC 9V/2.5A
Environmental condition	Operating temperature: -10 C ~ 45 C storage temperature: -20 C ~ 70 C Relative humidity: 5% ~ 95% (Non-condensing)

4. Instruction and usage

- Please power the terminal within the specified voltage range, don't use too low or too high voltage.
- Please make sure the connection is correct when connecting the device to the host and/or the power adaptor.
- Don't damage the cable, if the cable is damaged, do not use it anymore.
- Don't expose the terminal with direct sunlight, high temperature, humidity, dusty or strong corrosive gas.
- Stay away from liquid, don't use the product where the water may pour over or enter into, don't operate the product with wet hand.
- It is strictly prohibited to open the terminal without permission, otherwise the terminal will fail, the consequence will be at your own risk.
- If the terminal fails, please contact maintenance personnel, user is not allowed to maintain or repair the terminal without permission.
- Adapter shall be installed near the equipment and shall be easily accessible.
- Disposal of a battery into fire or a hot oven, or mechanically crushing or cutting of a battery, that can result in an explosion.
- Leaving a battery in an extremely high temperature surrounding environment that can result in an explosion or the leakage of flammable liquid or gas.
- Hereby, [Verifone Systems (China) Inc.] declares that the radio equipment type [Model: X990 Plus, X990 Plus M, X990 Plus G, X990] is in compliance with Directive 2014/53/EU. The full content of the EU declaration of conformity is available on www.verifone.cn website.

5. Password anti-peep instruction

- Using body or hand to block when entering the password to prevent it from peeping.
- The monitor range should as far as possible from the placement of the terminal when installing the surveillance camera, so as to avoid the cardholder's password leakage.
- Clients and merchants need to conduct routine inspection to ensure that the terminal has not been changed and there are no suspicious objects within the smart card and magnetic card slot.

6. Packing list

Serial No.	Name	Qty
1	X990 POS Terminal	1
2	User Manual	1
3	Paper roll	1
4	Power adaptor	1
5	X990 Declaration of Conformity	1

Verifone Systems (China) Inc.
Phone: +86 13910835232
E-mail: support@verifone.cn
www.verifone.com
Room 301, ZhuoMing Plaza, No. 1069, South Huihe Street,
Chaoyang District, Beijing, China

Verifone Inc.
2560 N, 1st Street, Suite 220 San Jose, California 95131, USA

Verifone Holding GmbH
Seilerweg, 2F, Bad Hersfeld 36251, Germany

Verifone UK Ltd.
3 Roundwood Avenue Stockley Park Uxbridge, UB11 1AF, UK

